

“It draws interest and crowds long before the performance starts. This fantastic new aerial spectacle from Highly Sprung is a visual treat but has some much deeper messages for its entranced audience.”

West End Best Friend
☆☆☆☆

*“Stunning,
emotive and
powerful.”*



CastAway

HIGHLYSPRUNG



Image Credit: Andy Moore

ABOUT

Drowning under a crushing mass of plastic, the Keeper of the Waterways awakens and rises up. It's time for change.

Highly Sprung's CastAway is a stunning outdoor performance that explores the impact of today's throwaway society on our waterways. Featuring a unique gyroscopic flying machine, it presents a brand new approach to aerial theatre. The all female cast immerses audiences in an underwater world where performers dive, twist and float over 26 feet in the air to delight, inspire and captivate audiences of all ages.

CastAway responds to the Great Pacific Garbage Patch – a floating island of everlasting plastic that has now grown to 6½ times the size of the UK. It presents an alternative, sustainable and more compassionate way of being and challenges us to consider our own actions in the face of climate change. With the weight of plastic now greater than the weight of humanity, what better time than now to take action?

HIGHLY SPRUNG

ABOUT

CastAway is a new environmentally led outdoor spectacle, designed to challenge our 'Throw Away Society'. CastAway responds to the excessive production and use of 'disposables' and the devastating effect they are having on our canals, rivers and waterways.

Promoting debate and inquiry through a performance that combines engineering, imagination, and dynamic movement.

TOURING

April- November 2025

IMPORTANT DETAILS

Duration: 30-minute performance

Number of performances per day: 2

Locations: towns, cities, parks and public spaces
Surface: Hard standing only (Ideally not on Grass, can be negotiated)



Image Credit: Andy Moore



Image Credit: Andy Moore



Image Credit: Andy Moore

CastAway- Highly Sprung



Image Credit: Andy Moore

AUDIENCE FEEDBACK

“A strong message and an outstanding performance... Reduce, Reuse and Recycle... Save our Waterways.”

“It made me want to fly through the air”

“The energy of the performance was amazing. Really makes you think about throwaway fashion.”



Image Credit: Andy Moore



Image Credit: Andy Moore



Image Credit: Andy Moore

“Absolutely stunning. Such a powerful performance which has stayed with me.”

“Stunning, emotive and powerful.”

“Utterly spellbinding. My son who has profound autism lay on the floor watching and was completely mesmerised, we all were. I just wish we could see it again.”



Image Credit: Andy Moore

CastAway- Highly Sprung



Image Credit: Andy Moore



Image Credit: Andy Moore



Image Credit: Andy Moore



RIG MEASUREMENTS

Base: 2096mm x 2096mm

Mast: 2762mm Height from ground

Arm: 6461mm length

Claw: 1119mm width x 2249 length

Full height with arm horizontal: 3237mm

Full height with arm vertical: 7780mm

SPECIFICATIONS

Min space requirements:

Minimum 13m diameter for performance space before audience area, marked with blue rope

Tech requirements - Audio: One free standing PA required to be provided (can be supplied where specified in advance)

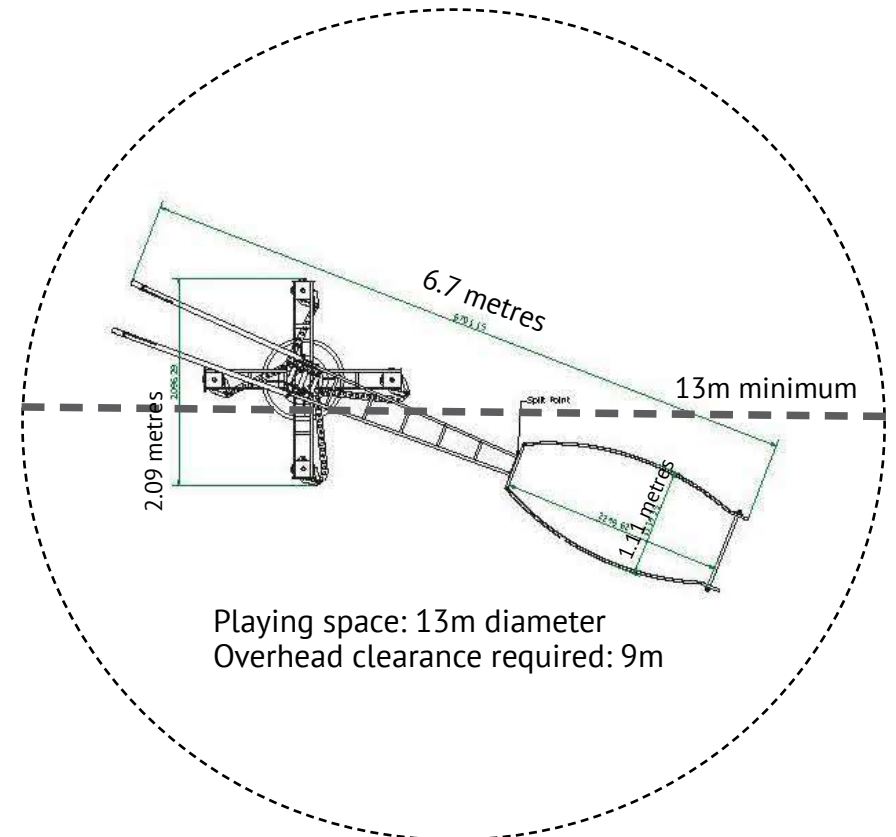
Touring Personal: 3 x Performers, 2 x Gyroscope Operators, 1 x Production Manager

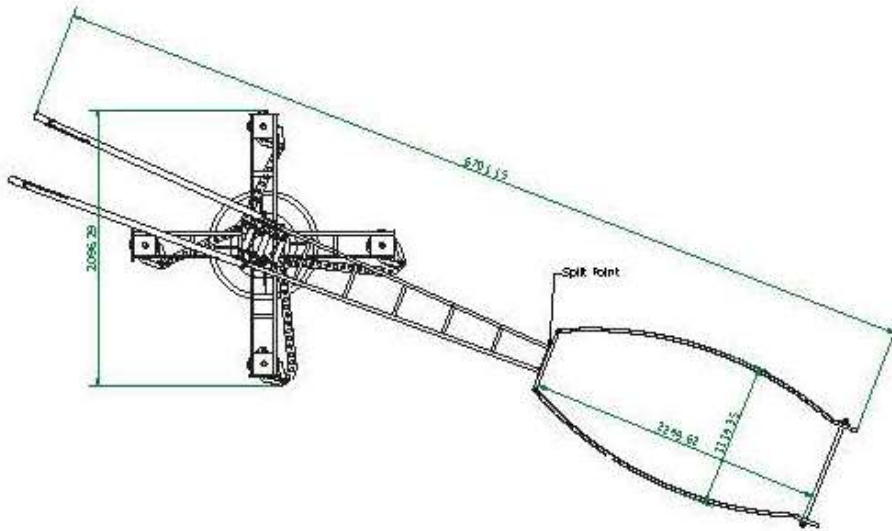
Get In: 1.5 hours

Get Out: 1.5 hours

Parking: 1 x van (dimensions 4.3m l x 1.94 h)
1 x trailer (dimensions 4m l x 1.8 w)

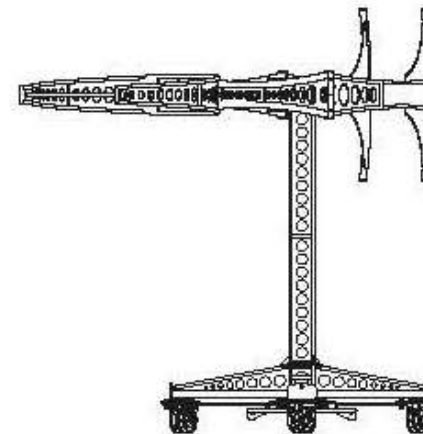
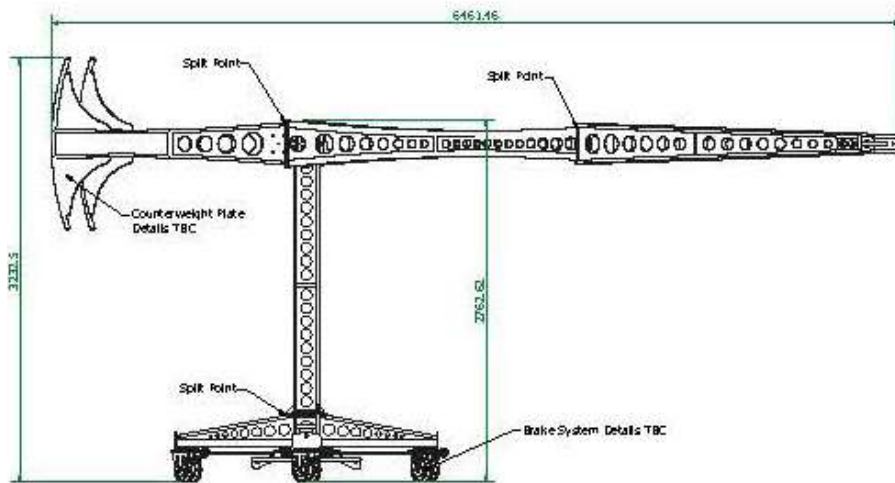
Set: Gyroscopic Rig (L 6.70m x H 7.80m), Trolley, Large skirt made of plastic rubbish, two 3m long plastic and fabric lengths, attached to rig and removed during performance





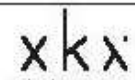
Weights:
 Machine without counterweights - 268kg
 Estimated required counterweights - 200kg
 Total machine weight - 468kg approx
 Weight spread over 4 x paired wheels with tyres - 100kg per pair.
 Estimated point load on floor - 100kg per Sq Metre

Swivel Bar and Wire Details TBC



Rev.	Description	By	Date

THIS DRAWING IS NOT TO BE USED FOR CONSTRUCTION OF ANY MACHINE WITHOUT THE WRITTEN PERMISSION OF PROJECT G.A.
 THIS DRAWING IS THE PROPERTY OF PROJECT G.A. AND IS NOT TO BE REPRODUCED OR TRANSMITTED IN ANY FORM OR BY ANY MEANS, ELECTRONIC OR MECHANICAL, INCLUDING PHOTOCOPYING, RECORDING, OR BY ANY INFORMATION STORAGE AND RETRIEVAL SYSTEM.
 ALL DIMENSIONS SHOWN IN THIS DRAWING SHALL BE TO UNLESS OTHERWISE SPECIFIED.



xkx | projects
 Unit: Chikankunda
 Gachibowli
 501145
 0124-106600
 www.xkxprojects.com

Drawn By: TBC
 Machine GA

THE RIG

ACCESS

CastAway features integrated accessibility:

- **Outdoor performance-** Level access is a requirement for our performance and therefore all our performances spaces are accessible.
- **For wheelchair users-** we encourage festivals and venues to support freedom of choice for wheelchair users and those with access needs, as to viewing location, this way they can choose where to view the performance from (360 degree performance). We ask that festival stewards allow egress and support for wheelchair users in the audience to access their preferred viewing location. We can also provide signage to advise wheelchair users to request support from stewards if required.
- **Access banner/flag-** clear signal to audiences of our available access resources. Signalling to audience an area they can come to, to request additional support if required
- **Audio description-** available on our website and via QR code

Accessibility Resources:

- **Easy Read Information-** available on our website, via QR code and hard copy
- **Alt Text-** available for marketing images
- **Steward support-** required for enabling wheelchair users priority audience location choice
- **Transcript available-** for the pre-show audio that has spoken text in its audio, either for audiences to use or for use by a **BSL interpreter** (where provided by festivals/venues).
- **Audio description-** available on our website and via QR code
- **Touch Tours** - available pre-show, ideally timings booked in advance

Company Access Needs

No current environmental access needs within the touring company.



Image Credit: Andy Moore



Image Credit: Andy Moore

HIGHLY SPRUNG

Highly Sprung is the UK's leading physical theatre company placing an emphasis on work for and with young people.

Our work is playful and inventive, but also unashamedly provocative and poignant. We take theatre beyond words, creating award-winning outdoor and indoor performances that tell stories of our histories and our futures primarily through movement, gesture and dance. Stories inspired by humanity, science and the complex world around us. Stories inspired by young people.

Our touring reaches a live audience of 60k and online audience of 264k annually.

We have been touring Urban Astronaut since 2015, to great acclaim. Urban Astronaut sees a performer suspended in the air on a gravity defying flying machine, the performance explores the issue of air pollution. The Astronaut meets Hope, who shows him how the human race can act to avoid planetary destruction.

"Highly Sprung's work makes you think; makes you feel; makes you feel alive."

Contact

Producer Phil Hargreaves

07702755705

producingphil@gmail.com

Artistic Director Sarah Worth

07810263355

sarah@highlysprungperformance.co.uk

Website highlysprungperformance.co.uk

Facebook @highlysprungperformance

Twitter @HighlySprung

Instagram @highlysprung

PROJECT CREDITS

Castaway by Highly Sprung Performance Co. is co-commissioned by Coventry UK City of Culture 2021, The Arches Worcester Festivals Severn Arts, Basingstoke Festival and the Canal & River Trust. Supported using public funding by Arts Council England.

Music: Tom Haines

Design: Entify Productions

Performers 2021: Amy Butler, Gabbie Cook, Emily Robertson, Mark Worth

Performers 2022: Amy Butler, Stefania Catarinella, Gabbie Cook, Rachel Laird, Claire Lambert, Sara Marques, Emily Robertson, Mark Worth

MARKETING ASSETS

Trailer: <https://youtu.be/CS-eb5f-apQ>

Website: [https://](https://www.highlysprungperformance.co.uk)

www.highlysprungperformance.co.uk

Marketing Contact: Hayley Salter

hayley@highlysprungperformance.co.uk

HIGHLYSPRUNG
THEATRE THAT MOVES

